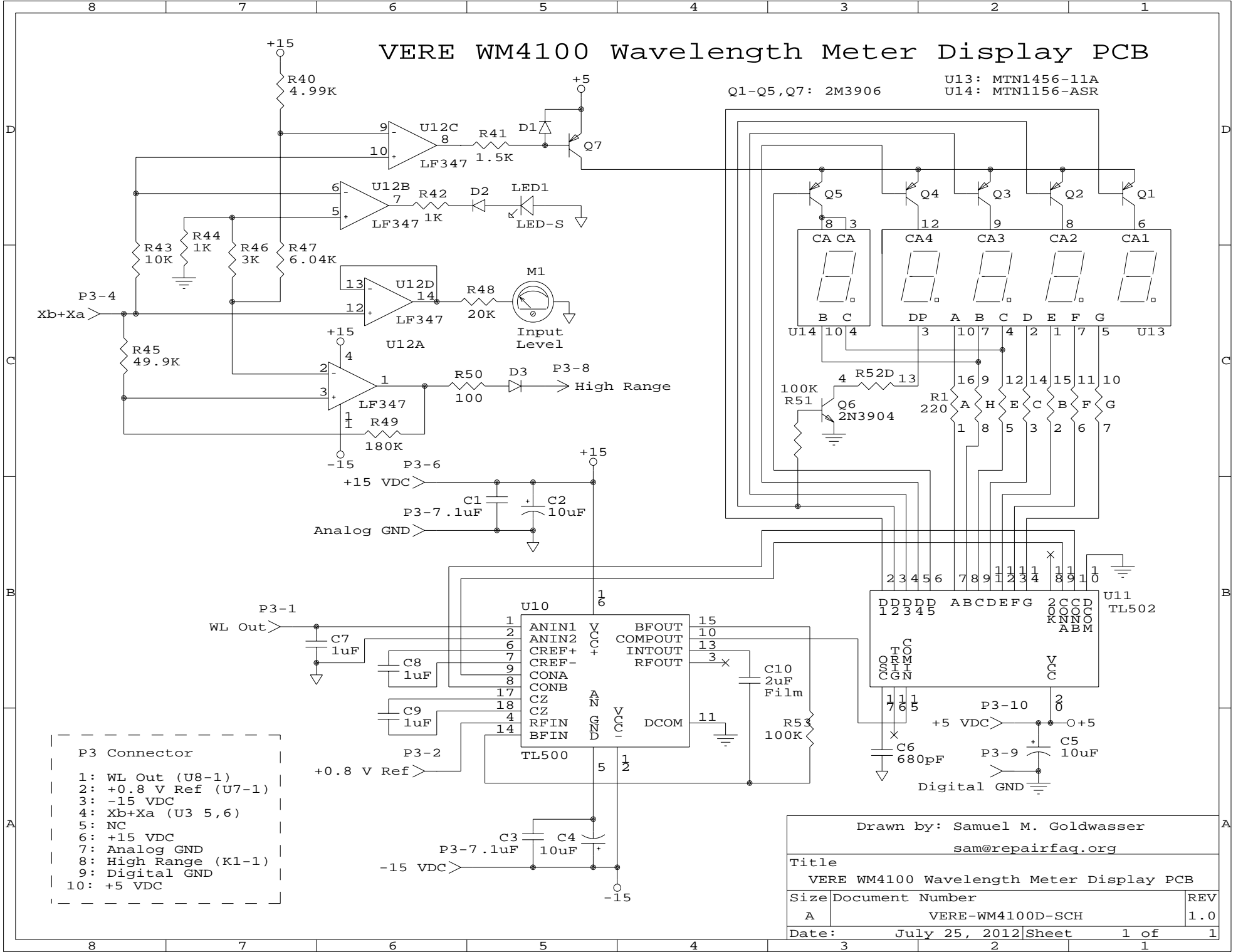


VERE WM4100 Wavelength Meter Display PCB

U13: MTN1456-11A
U14: MTN1156-ASR

Q1-Q5, Q7: 2M3906



- P3 Connector**

 - 1: WL Out (U8-1)
 - 2: +0.8 V Ref (U7-1)
 - 3: -15 VDC
 - 4: Xb+Xa (U3 5,6)
 - 5: NC
 - 6: +15 VDC
 - 7: Analog GND
 - 8: High Range (K1-1)
 - 9: Digital GND
 - 10: +5 VDC

Drawn by: Samuel M. Goldwasser		
sam@repairfaq.org		
Title		
VERE WM4100 Wavelength Meter Display PCB		
Size	Document Number	REV
A	VERE-WM4100D-SCH	1.0
Date:	July 25, 2012	Sheet 1 of 1