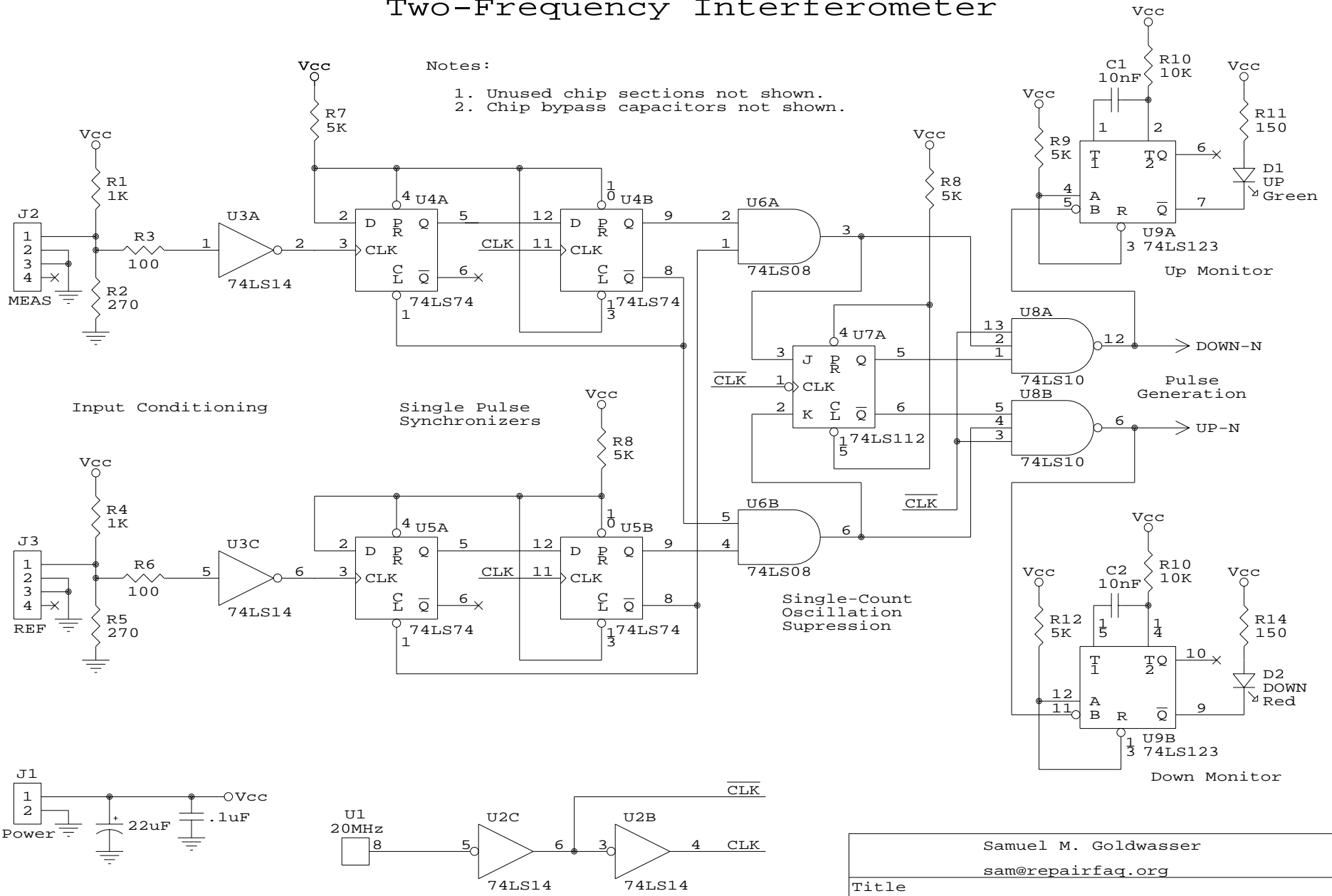


Sam's Pulse Converter for Two-Frequency Interferometer

Notes:

1. Unused chip sections not shown.
2. Chip bypass capacitors not shown.



Samuel M. Goldwasser		
sam@repairfaq.org		
Title		
Sam's Pulse Conv for Two-Freq Interferometer		
Size	Document Number	REV
A	SG-PC1-SCH	1.0
Date:	June 25, 2008	Sheet of