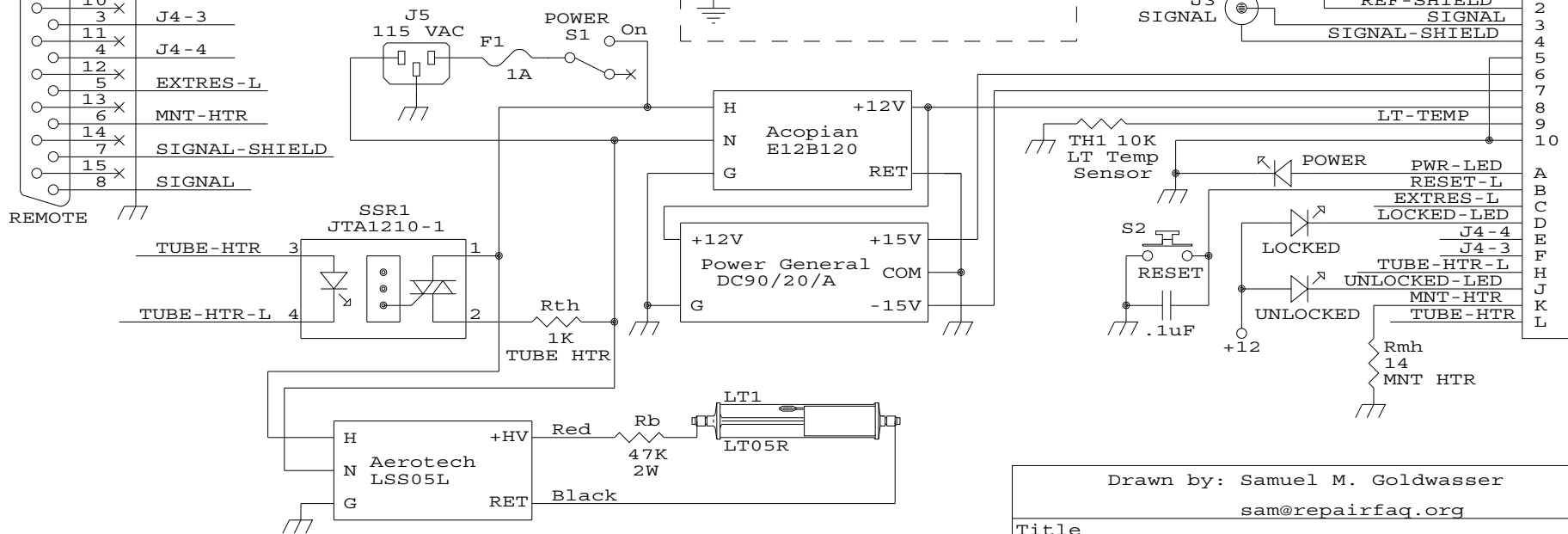
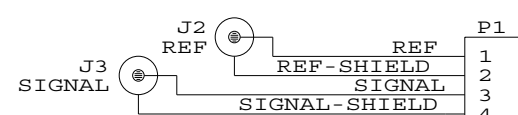
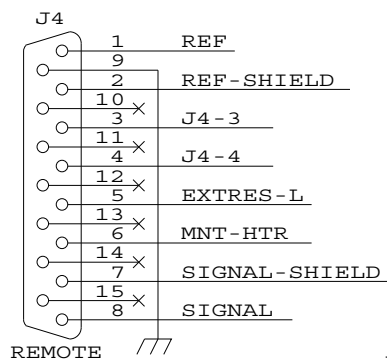
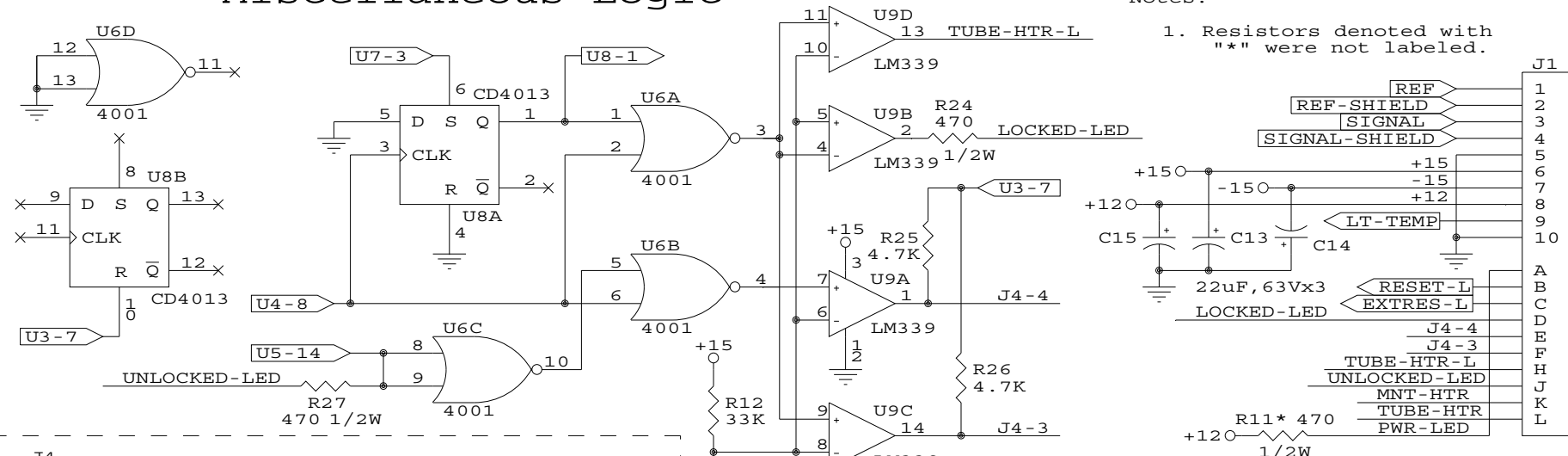


Optra Optralite Two-Frequency HeNe Laser

Miscellaneous Logic

Notes:

1. Resistors denoted with "*" were not labeled.



Chassis Components

Drawn by: Samuel M. Goldwasser		
sam@repairfaq.org		
Title		
Optra Optralite HeNe Laser - Logic/Chassis		
Size	Document Number	REV
A	OPOL-LC-SCH	2
Date:	April 3, 2010	Sheet 2 of 3