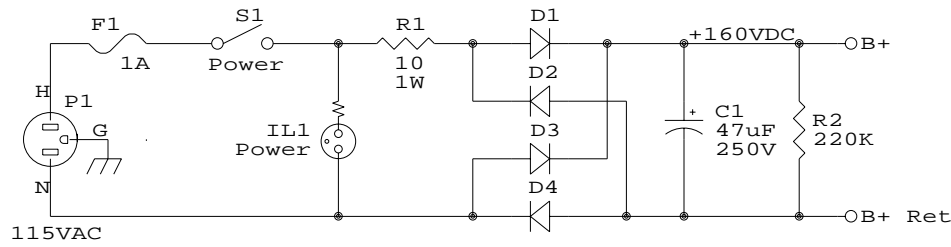


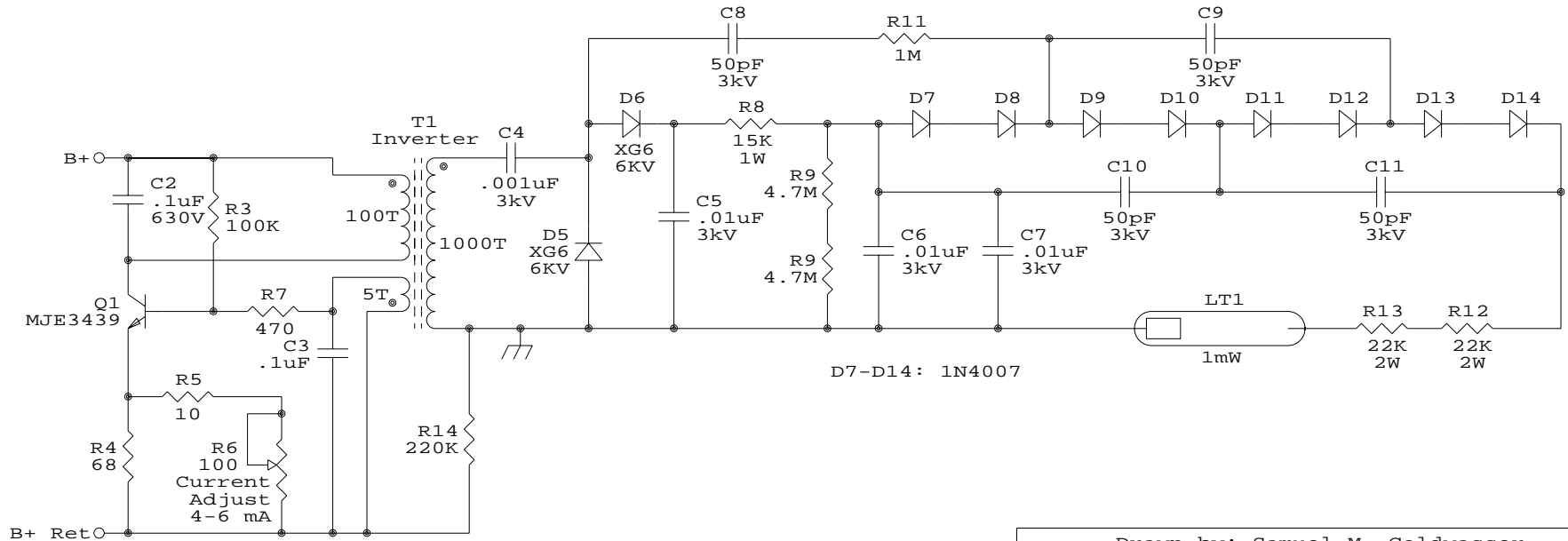
# Metrologic ML600 HeNe Laser PSU (ML-600)



D1-D4: 1N4007

**Notes:**

1. Part designations are arbitrary. PCB unmarked.
2. Resistors are 1/2W unless otherwise noted.
3. T1 number of turns guessed.



D7-D14: 1N4007

Drawn by: Samuel M. Goldwasser		
sam@repairfaq.org		
Title		
Metrologic ML600 HeNe Laser PSU (ML-600)		
Size	Document Number	REV
A	ML-600-SCH	1.0
Date:	July 25, 2000	Sheet 1 of 1