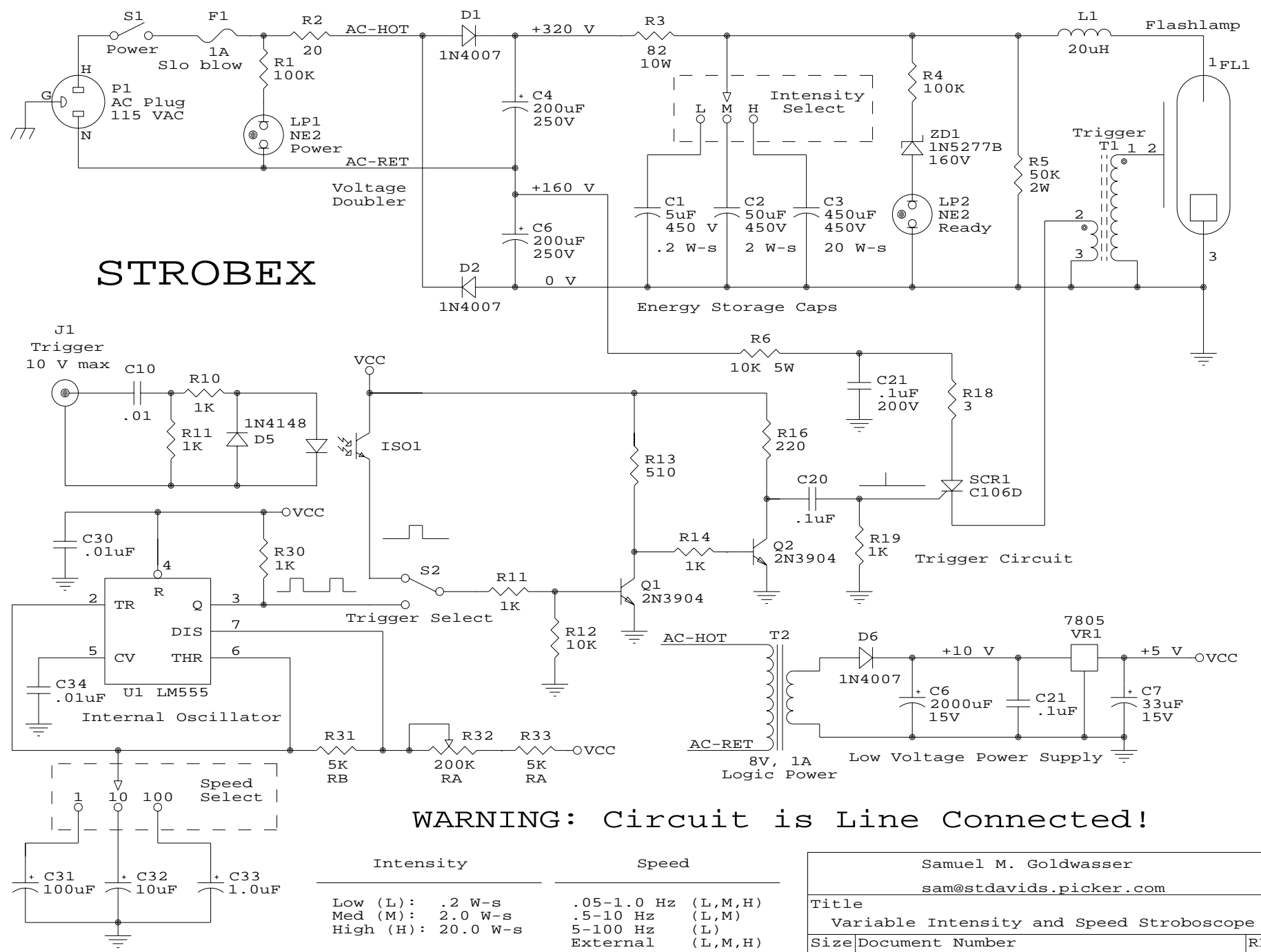


STROBEX



WARNING: Circuit is Line Connected!

Intensity	Speed
Low (L): .2 W-s	.05-1.0 Hz (L,M,H)
Med (M): 2.0 W-s	.5-10 Hz (L,M)
High (H): 20.0 W-s	5-100 Hz (L)
	External (L,M,H)

Samuel M. Goldwasser		
sam@stdavids.picker.com		
Title		
Variable Intensity and Speed Stroboscope		
Size	Document Number	REV
A	STROBEX-SCH	1.3
Date:	July 12, 1999	Sheet 1 of 1