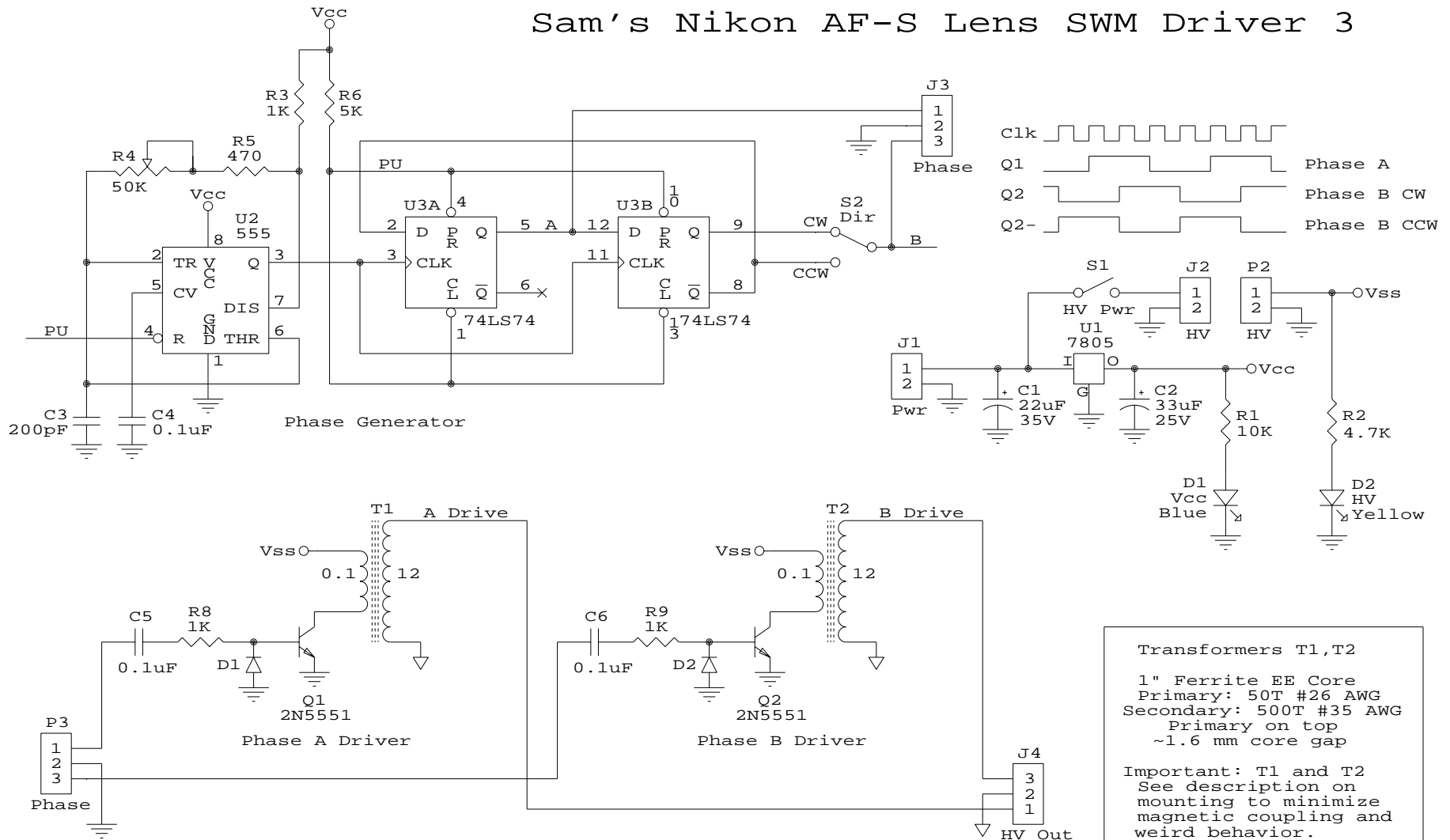


Sam's Nikon AF-S Lens SWM Driver 3



Typical Performance:

Test Conditions:

1. Frequency = 69 kHz
2. Capacitive load for SWM = 1.3 nF

Vss	HV Out A,B
5 V	70 V p-p
10 V	160 V p-p
15 V	240 V p-p
20 V	310 V p-p
25 V	375 V p-p

Samual M. Goldwasser		
Repairfaq.org		
Title Sam's Nikon Lens AF-S SWM Tester 3		
Size	Document Number	REV
A	SG-SW3	1.0
Date:	February 28, 2023	Sheet 1 of 1