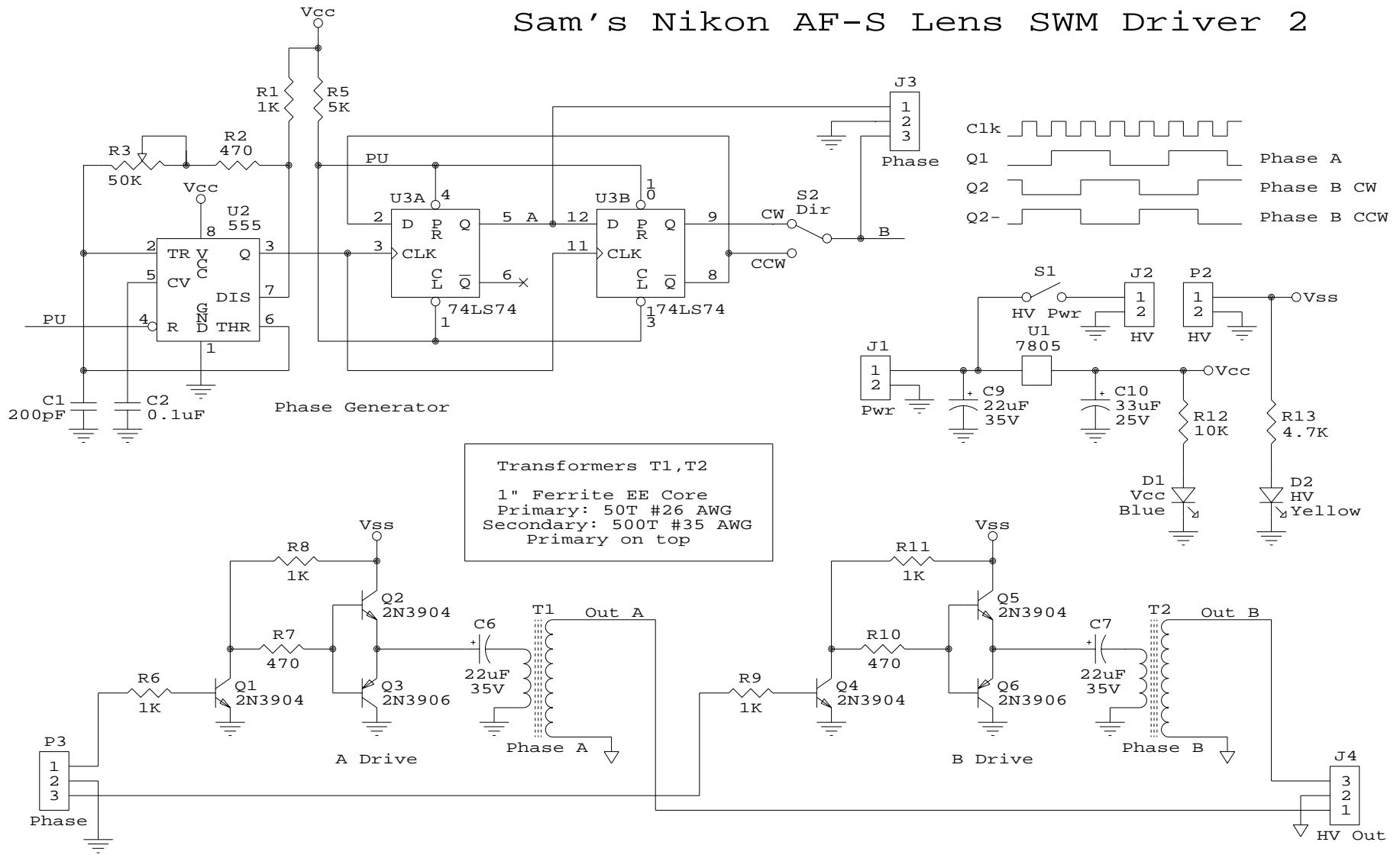


Sam's Nikon AF-S Lens SWM Driver 2



Transformers T1, T2
 1" Ferrite EE Core
 Primary: 50T #26 AWG
 Secondary: 500T #35 AWG
 Primary on top

Test Conditions:

1. Frequency = 69 kHz
2. Capacitive load for HV Out A,B = 1.3 nF

Typical Performance:

Vss	HV Out A,B
5 V	38 V p-p
10 V	74 V p-p
15 V	115 V p-p
20 V	142 V p-p
25 V	180 V p-p
30 V	210 V p-p

Samual M. Goldwasser		
Repairfaq.org		
Title		
Sam's Nikon Lens AF-S SWM Tester 2		
Size	Document Number	REV
A	SG-SW2	1.0
Date:	February 26, 2023	Sheet 1 of 1