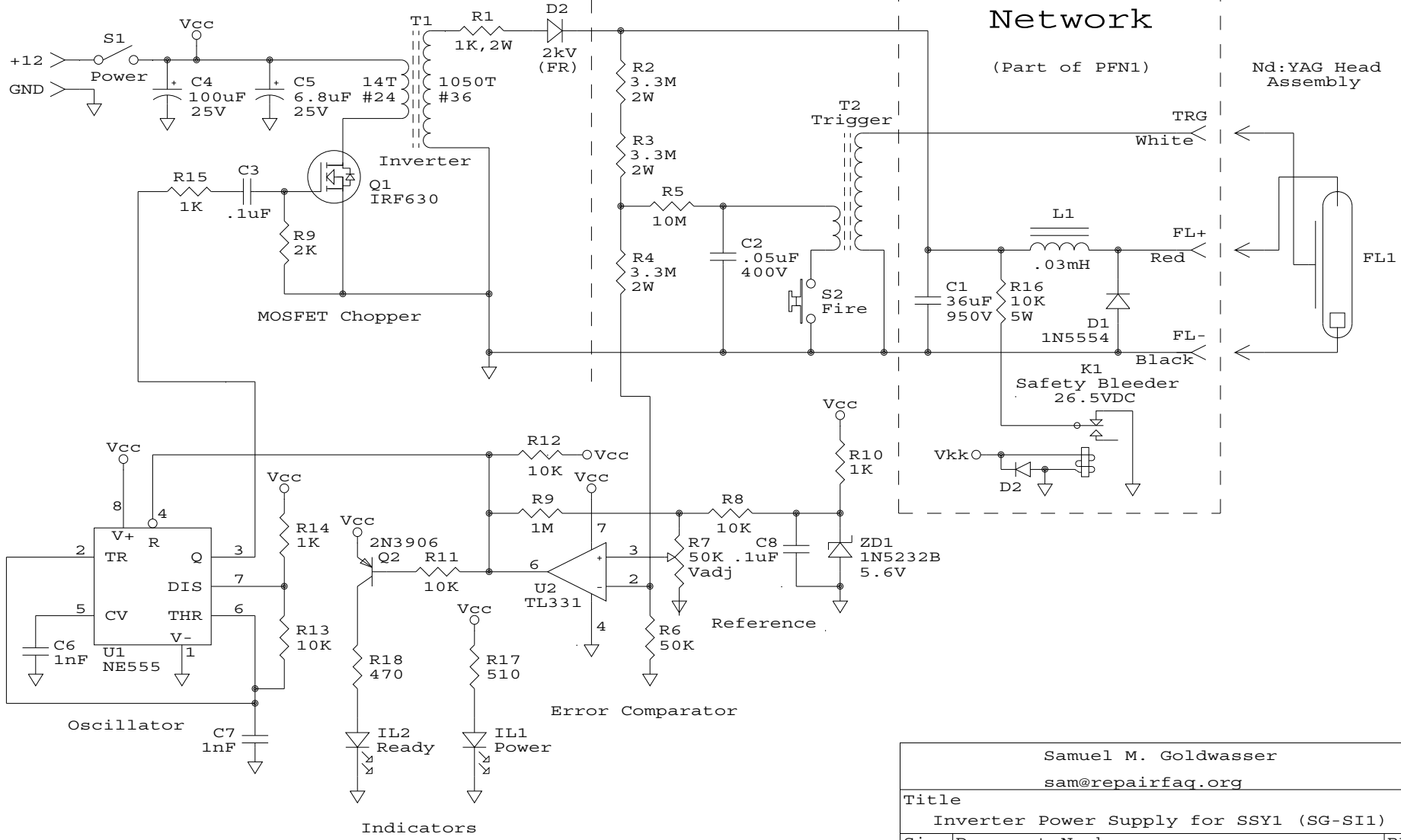


Inverter Power Supply for SSY1 (SG-SI1)

Capacitor Charger

Trigger Circuit

Pulse Forming Network



Samuel M. Goldwasser		
sam@repairfaq.org		
Title		
Inverter Power Supply for SSY1 (SG-SI1)		
Size	Document Number	REV
A	SG-SI1-SCH	1.1
Date:	May 22, 2010	Sheet 1 of 1