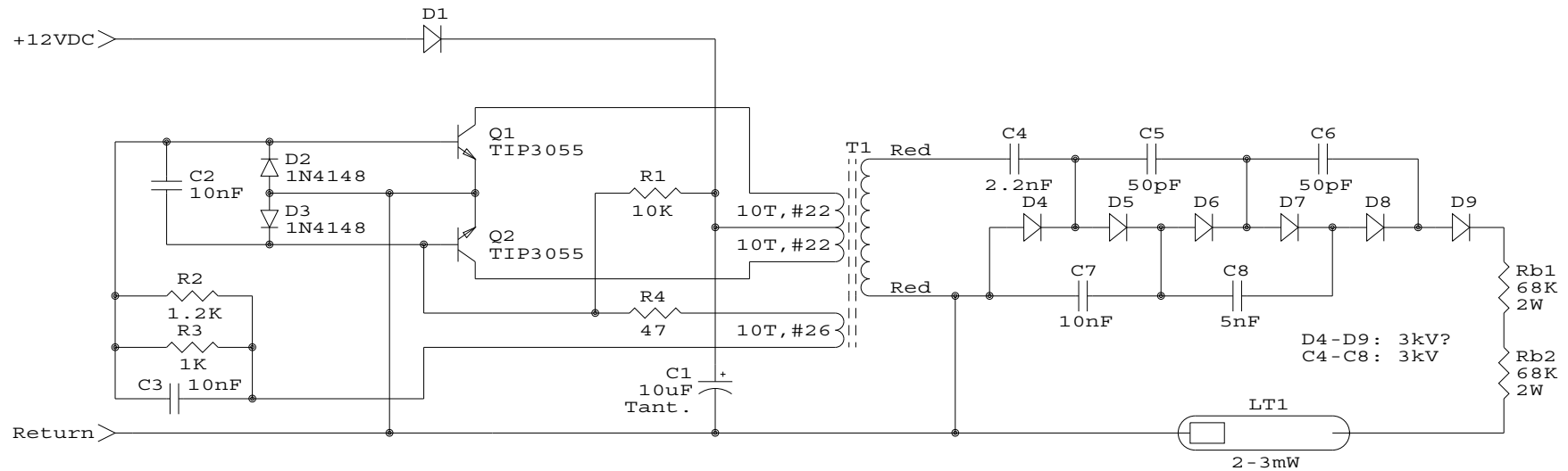


# Plasma Power 324 HeNe Laser PSU (PP-324)



**Notes:**

1. Part designations are arbitrary. PCB unmarked.
2. Resistors are 1/4W unless otherwise noted.
3. There are many variations on this design.

Drawn by: Samuel M. Goldwasser

sam@repairfaq.org

Title		
Plasma Power 324 HeNe Laser PSU (PP-324)		
Size	Document Number	REV
A	PP-324-SCH	1.0
Date:	November 17, 2010	Sheet 1 of 1