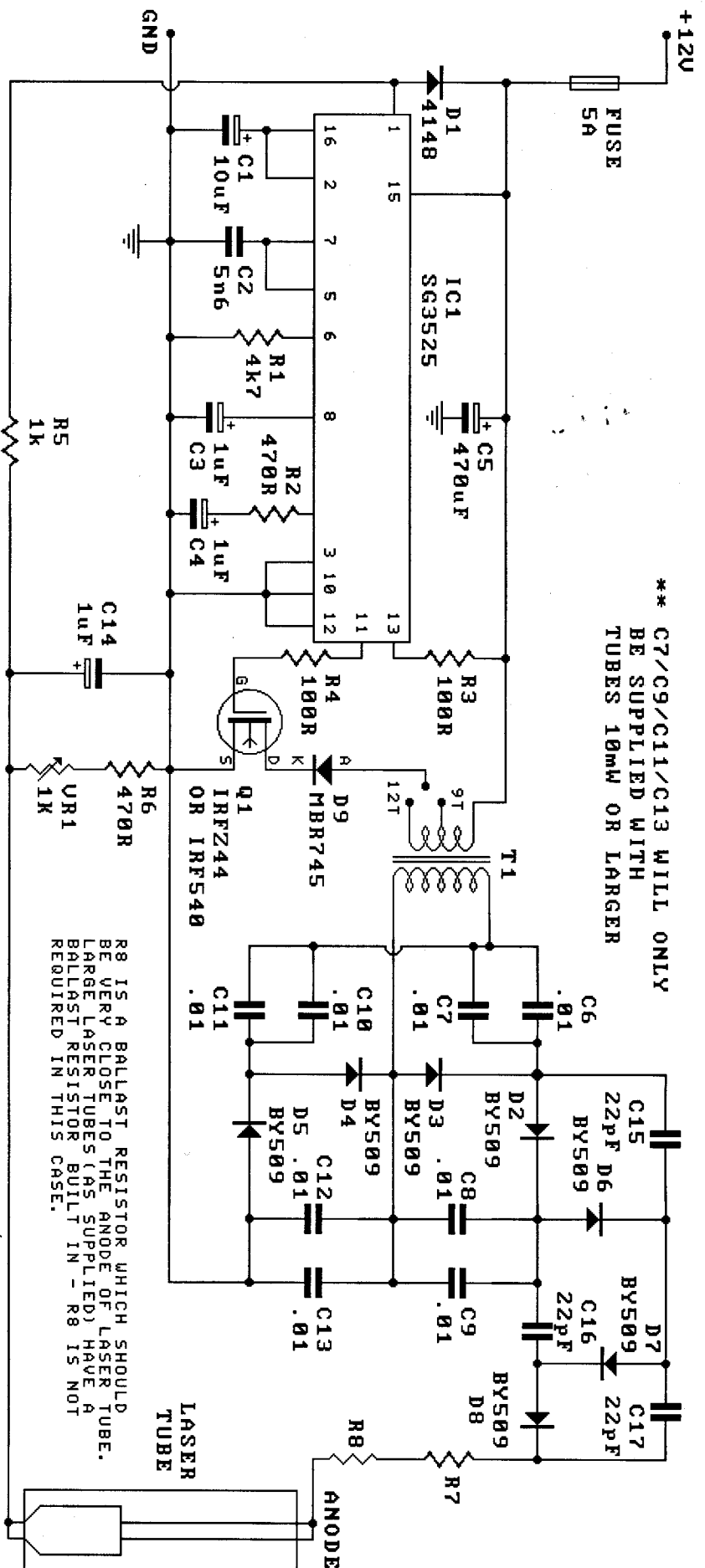


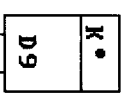
12V UNIVERSAL LASER SUPPLY - MK. 4

** C7/C9/C11/C13 WILL ONLY BE SUPPLIED WITH TUBES 10MM OR LARGER

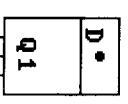


R8 IS A BALLAST RESISTOR WHICH SHOULD BE VERY CLOSE TO THE ANODE OF LASER TUBE. LARGE LASER TUBES (AS SUPPLIED) HAVE A BALLAST RESISTOR BUILT IN - R8 IS NOT REQUIRED IN THIS CASE.

SCHOTTKY DIODE



MOSFET



K A

G D S

K002.S01

REVISED 14/7/98

www.oatleyelectronics.com