

VADT SOURCES
 VPWEDT (PASS)
 VPWEDTR (REG)
 VADD (VB DT BUS)
 VADZ (VB ZL BUS)
 DOTS DT (PIPE)
 VAMAC (ACCUM)
 HIST STORE

 LUTV (VB ADR)

VAZL SOURCES
 VPWEZL (PASS)
 VPWEZLR (REG)
 VAZZ (VA ZL BUS)
 CTUZP (PIPE)

VADT DESTINATIONS
 VADNOP (NONE)
 VPWEDTR (REG)
 VADD (REG)
 VADZ (REG)
 VAALU (AM29117)
 HIST STORE
 LUTV (VB ADR)

VAZL DESTINATIONS
 VAZNOP (NONE)
 VPWEZLR (REG)
 VAZZ (REG)

VBDT SOURCES
 VBALU (AM29117)
 VBDD (VA DT BUS)
 VMACLSP (LSBS)
 VBEMEM (DT BITS)

VZL SOURCES

 VBZD (VA DT BUS)
 VBZD (VA ZL BUS)
 VBEMEM (ZL BITS)

VBDT DESTINATIONS
 VBDNOP (NONE)
 VBDD (REG)
 VMACY (Y ONLY)
 VMACXY (X and Y)

VZL DESTINATIONS
 VBNOP (NONE)
 VBZD (REG)
 VBZD (REG)

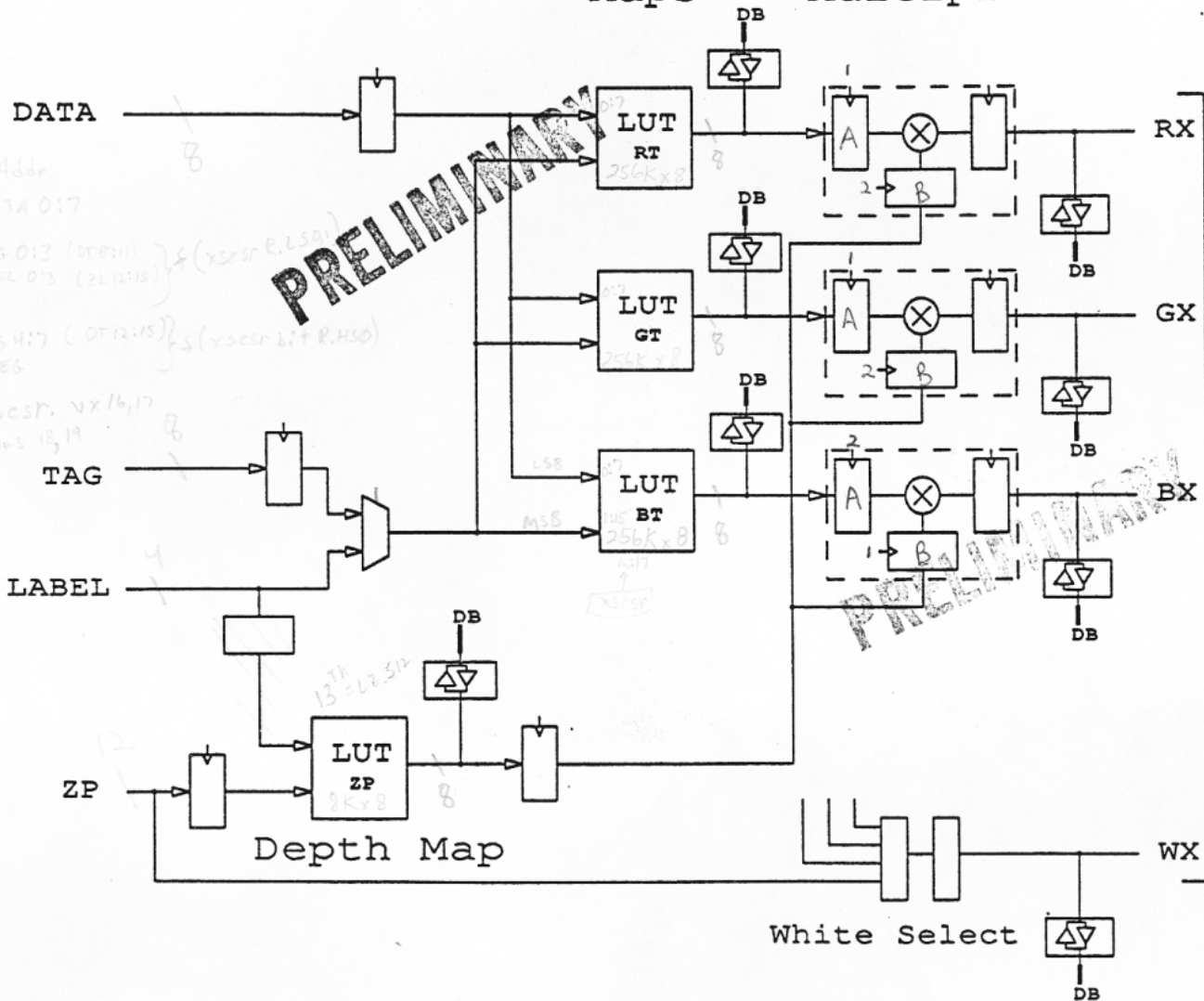
DT.DATA[0..7]
 DT.TAG[0..7]

mac run polk +
 mac load
 mac add
 mac sub
 mac prel

VB Shading Pipeline

Color
Maps

Depth
Multipliers



R&D Lut Addr
0:17 = DATA 0:17
8:11 = TAG 0:3 (TREG)
12:15 = TAG 4:7 (DTREG)
16:17 = X55SP. Vx 16,17
18:19 = addr bus 18,19

PRELIMINARY

PRELIMINARY

to Frame
Buffer RGBW
Planes

Dynamic Digital Displays, Inc. 130 Radnor-Chester Rd. St. Davids, Pennsylvania 19087	
Title	VB Shading Pipeline
Size/Document Number	1000V28001
REV	000
Date:	February 1, 1988